

# LT-860-8A CV RDM/DMX Decoder



LT-860-8A is a 3CH RDM/DMX CV decoder with three digital tubes displaying DMX address, built-in DMX signal amplifier. Support four self-testing dynamic change modes. Any color adjusted by DMX console can be stored on the decoder and played dynamically offline. A user-friendly way to DIY changing effect.

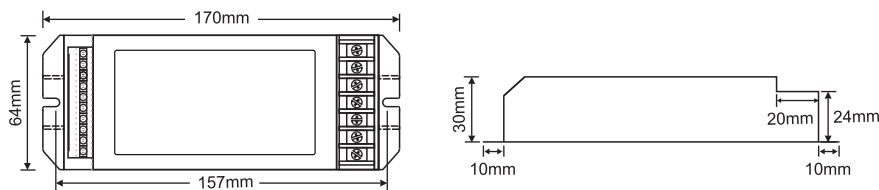
LT-860-8A, with the standard RDM remote device management protocol, supports DMX512 signal bi-directional communication, achieves remote management of reading and writing DMX address (DMX master controller must recognize the RDM protocol). Realize 0-100% dimming or different lighting effect; workable with single color, bi-color or RGB LED lamps.

## 1. Technical Specs:

### LT-860-8A

- Input Signal: RDM, DMX512
- Input Voltage: 5~24VDC
- Max Current Load: 8A×3CH Max 24A
- Max Power Load: 120W/288W/576W(5V/12V/24V)
- Gray Scale Level: 256 Levels per Channel
- Dimming Range: 0~100%
- Working Temperature: -30°C~55°C
- Dimensions: L170×W64×H30mm
- Package Size: L172×W66×H34mm
- Weight (G.W): 215g

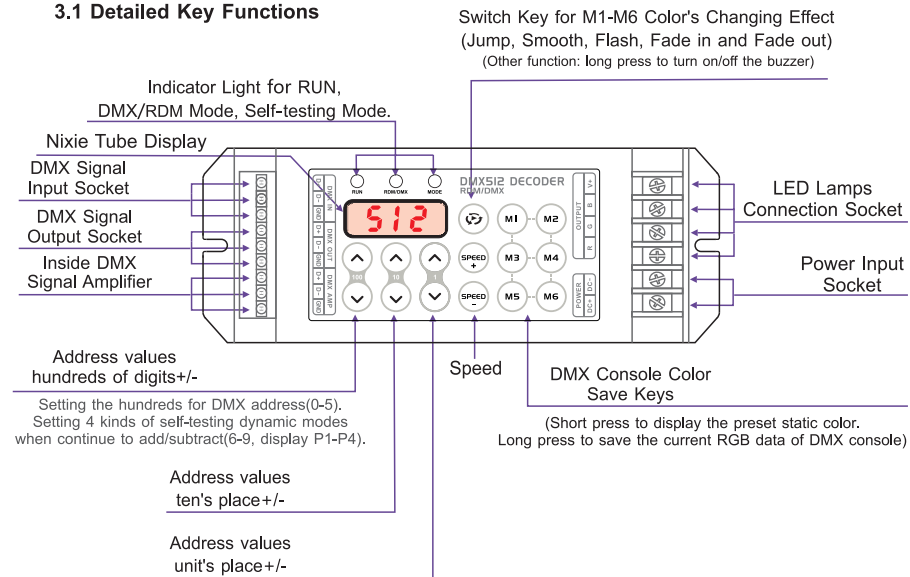
## 2. Product Dimension:



1

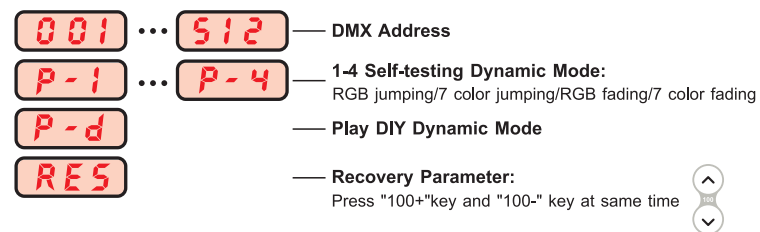
## 3. Operation Interface Instruction:

### 3.1 Detailed Key Functions



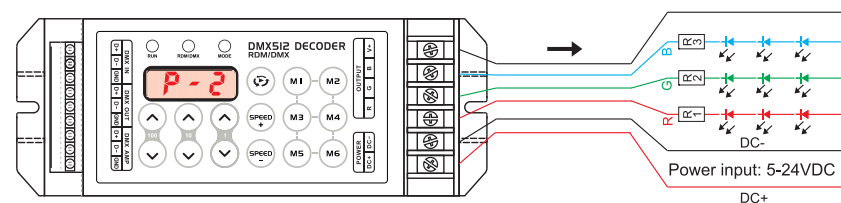
In the DMX Decoder Mode, the "RDM/DMX" indicator light is on, the "RUN" indicator light flash quickly if RDM/DMX signal input. In the self-testing mode or editing dynamic effect mode, the "MODE" indicator light is on.

### 3.2 Nixie Tube State Display



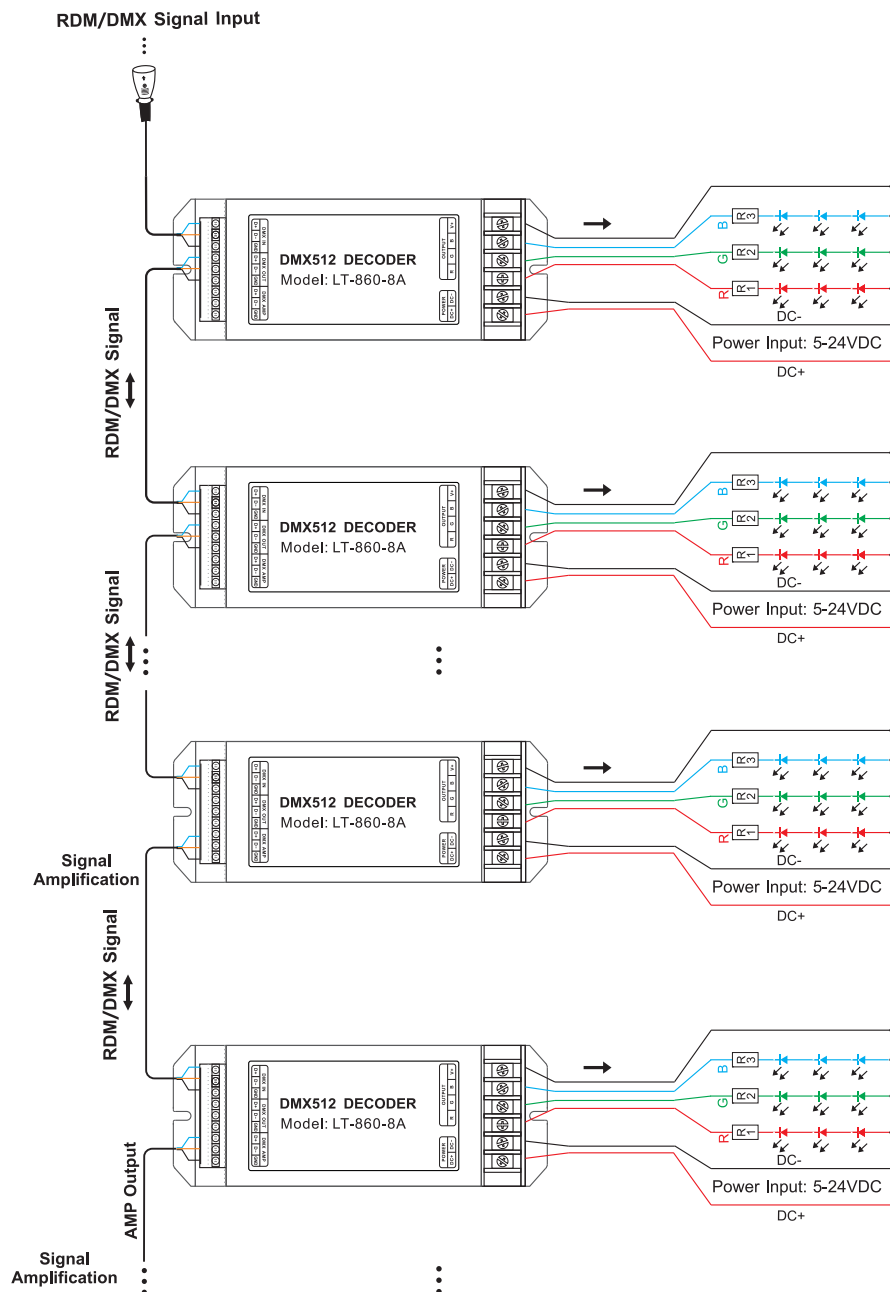
## 4. Wiring Diagram:

### 4.1 Stand-alone Use



2

4.2 DMX Mode



5. Attention

- 5.1 The product shall be installed and serviced by the qualified person.
- 5.2 This product is non-waterproof. Please avoid the sun and rain. When installed outdoors please ensure it is mounted in a water proof enclosure.
- 5.3 Good heat dissipation will prolong the working life of the controller. Please ensure good ventilation.
- 5.4 Please check if the output voltage of the LED power supply used comply with the working voltage of the product.
- 5.5 Please ensure that adequate sized cable is used from the controller to the LED lights to carry the current. Please also ensure that the cable is secured tightly in the connector.
- 5.6 Ensure all wire connections and polarities are correct before applying power to avoid any damages to the LED lights.
- 5.7 If a fault occurs please return the product to your supplier. Do not attempt to fix this product by yourself.

6. Warranty Agreement

- 6.1 We provide lifelong technical assistance with this product:
  - A 5-year warranty is given from the date of purchase. The warranty is for free repair or replacement if cover manufacturing faults only.
  - For faults beyond the 5-year warranty, we reserve the right to charge for time and parts.
- 6.2 Warranty exclusions below:
  - Any man-made damages caused from improper operation, or connecting to excess voltage and overloading.
  - The product appears to have excessive physical damage.
  - Damage due to natural disasters and force majeure.
  - Warranty label, fragile label and unique barcode label have been damaged.
  - The product has been replaced by a brand new product.
- 6.3 Repair or replacement as provided under this warranty is the exclusive remedy to the customer. We shall not be liable for any incidental or consequential damages for breach of any stipulation in this warranty.
- 6.4 Any amendment or adjustment to this warranty must be approved in writing by our company only.

★ This manual only applies to this model. We reserve the right to make changes without prior notice.